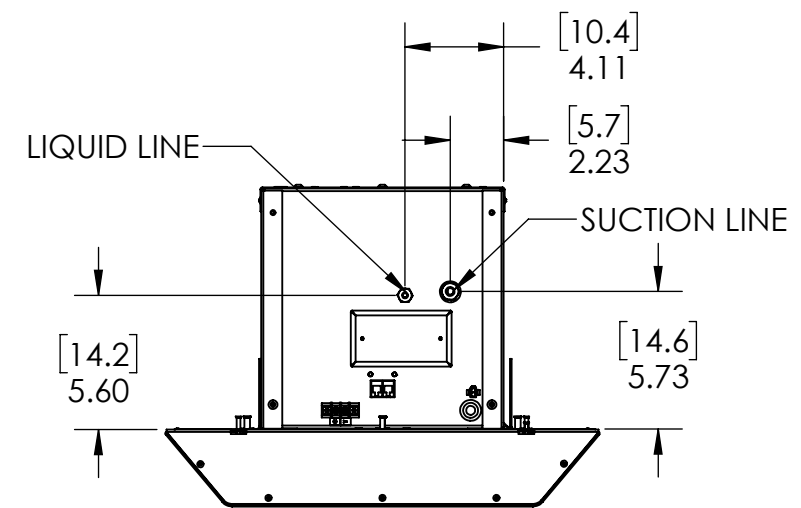
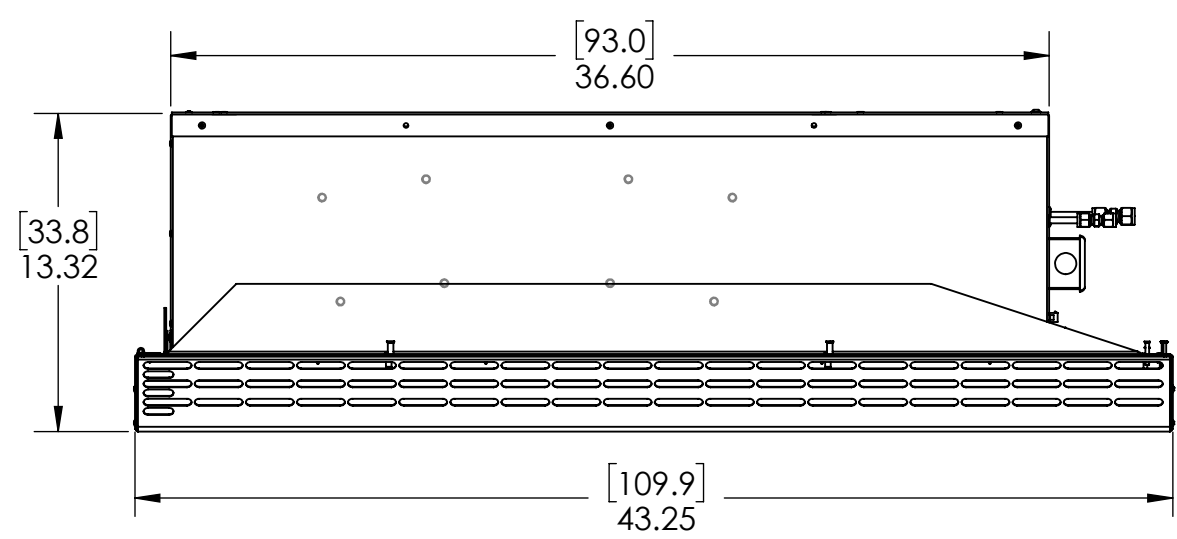
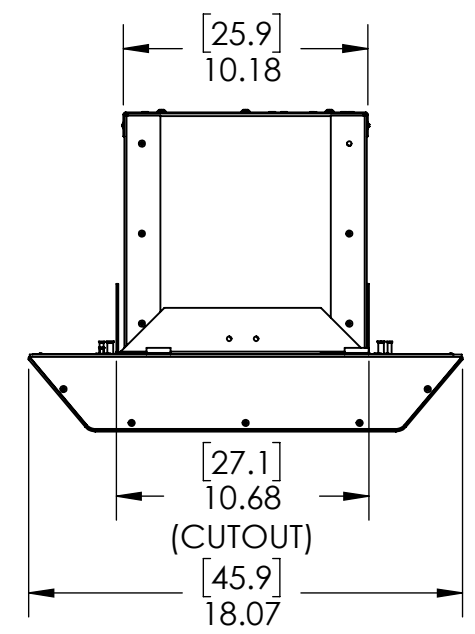
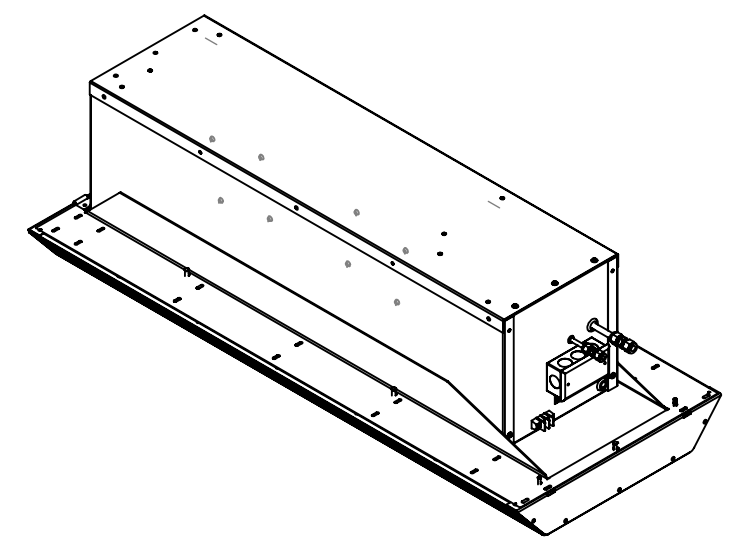
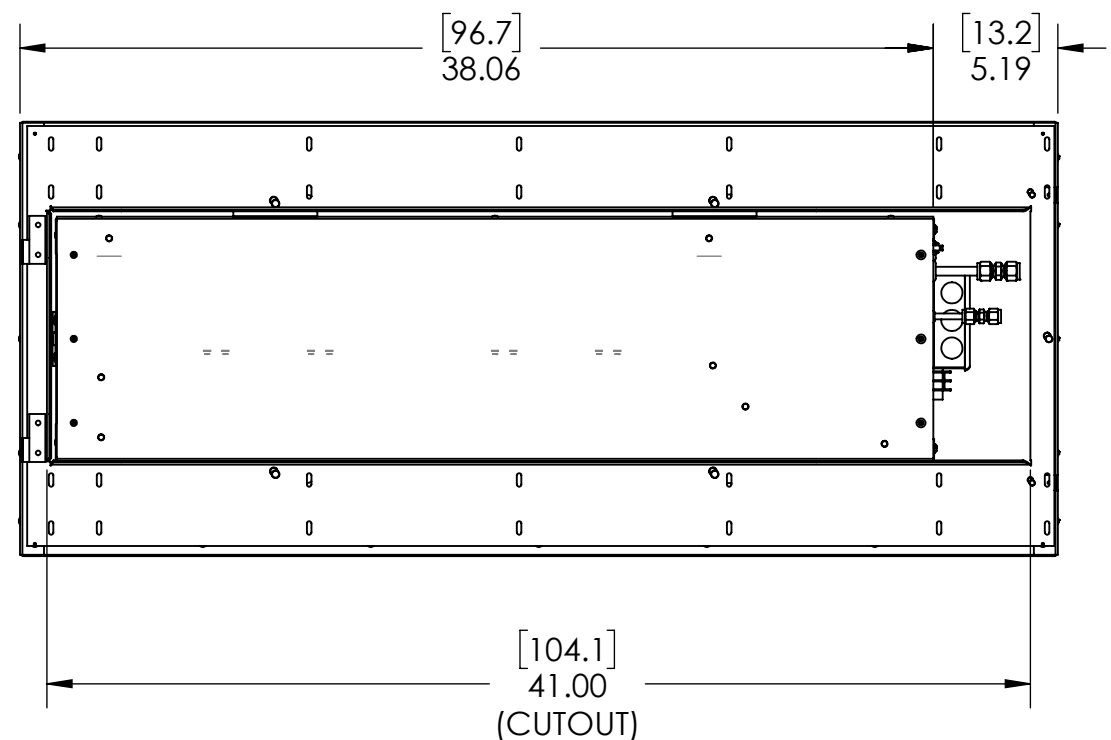



8 7 6 5 4 3 2 1

D  
C  
B  
A

D  
C  
B  
A



DIMENSIONS SHOWN IN [ ] ARE CM

UNLESS OTHERWISE SPECIFIED:		NAME	DATE	 7000 PERFORMANCE DRIVE, SYRACUSE, NY 13212, Tel. 315-452-7400
DIMENSIONS ARE IN INCHES		DRAWN	NAR 03/09/23	
TOLERANCES:		CHECKED		
FRACTIONAL ± 1/16		ENG APPR.		
ANGULAR: MACH ± 2 BEND ± 2		MFG APPR.		TITLE:
TWO PLACE DECIMAL ± .03				CS025, CS050
THREE PLACE DECIMAL ± .015				SIZE DWG. NO. REV
INTERPRET GEOMETRIC TOLERANCING PER:		MATERIAL:		B 7000 PERFORMANCE DRIVE, SYRACUSE, NY 13212, Tel. 315-452-7400
COMMENTS:		MODEL:		CEILING UNIT ~
-				SHEET 1 OF 1
DO NOT SCALE DRAWING				

8 7 6 5 4 3 2 1